



HAUSPRO

Customer Service

- 1.To avoid any damage to this product, please assemble on a soft surface.
- 2.Check each part for any defects that may have occurred during shipping before your assemble.
- 3.Keep your receipt and these instructions for proof of purchase.



Guarantee

- 1.Our products are backed by a 2 years manufacturer's warranty.
- 2.If the product needs to be returned,the item should be returned in its original condition including packaging,in order to get it refund or replacement.
- 3.Our Customer's Service Team can be reached at:
info@hauspro.co.uk



THANK YOU

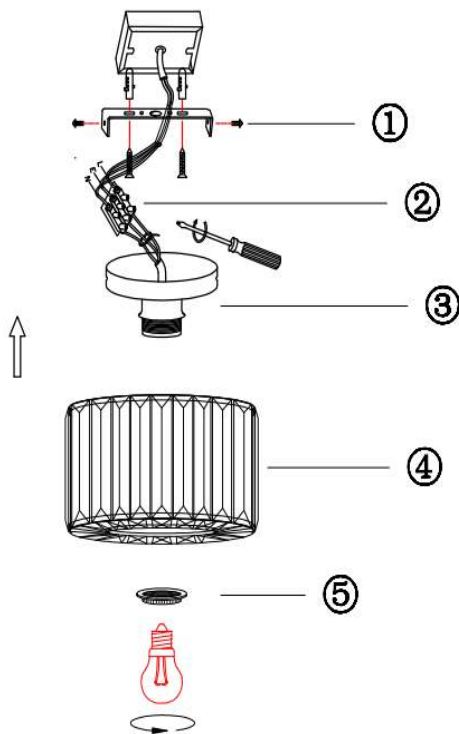
This manual contains information regarding installation and safe handling of Retro Ceiling Light. All instruction should be read and understood before attempting to install.The installation should conform to all the safety precautions in the manual when installing the light.

We appreciate the trust and confidence you have placed in HAUSPRO with the purchase of this light. Visit us online to browse through our product scope for your home improvement. We hope that the product will meet your satisfaction.



HAUSPRO

Installation Steps



1. Remove the hanging plate, determine the screw pitch according to the distance between two holes of chassis and then fix the tube plate on the ceiling with the self tapping screws.
2. Assemble the lamp body structure as shown.
3. Connect the power cord, and install the chassis on the hanging plate with the decorative screws.
4. Install the lampshade.

When installing the lamp, please turn off the power supply in the room first.



To avoid any danger associated with use of chemical cleaning solvents, it is recommended to clean the lamp with dry clean cloth only.

Rated Voltage: US/CA:100V
EU/UK:220-240V